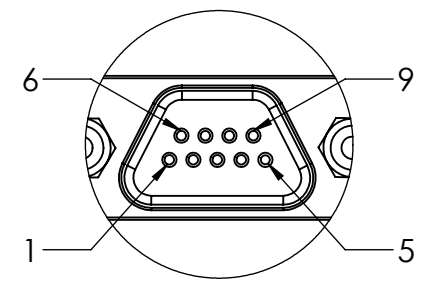


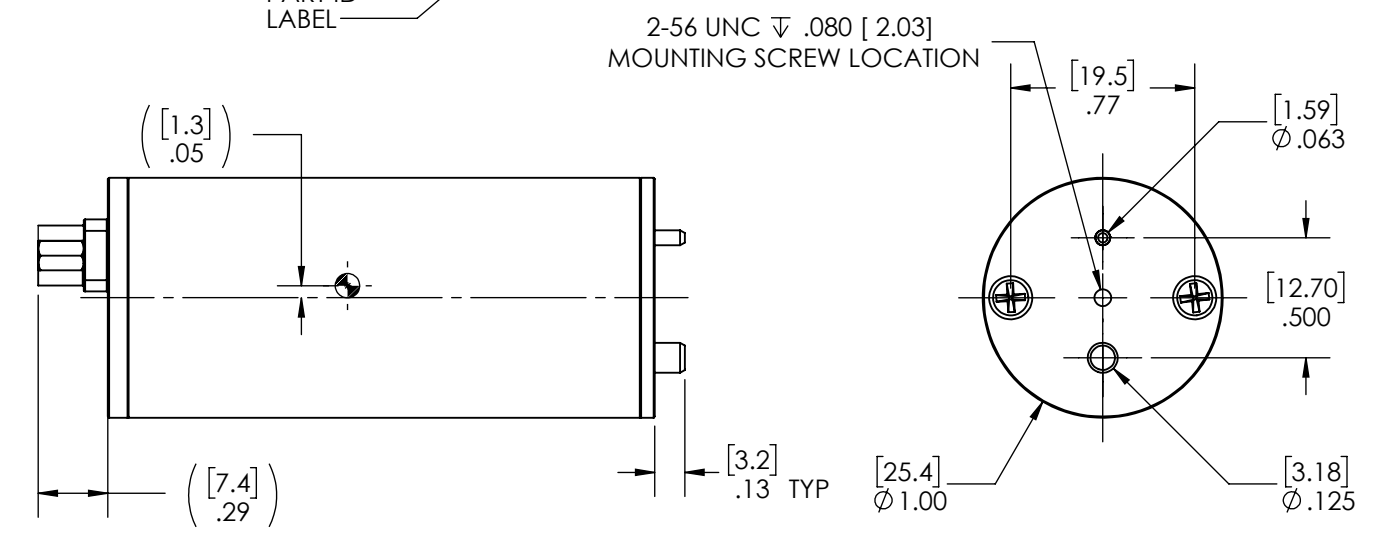
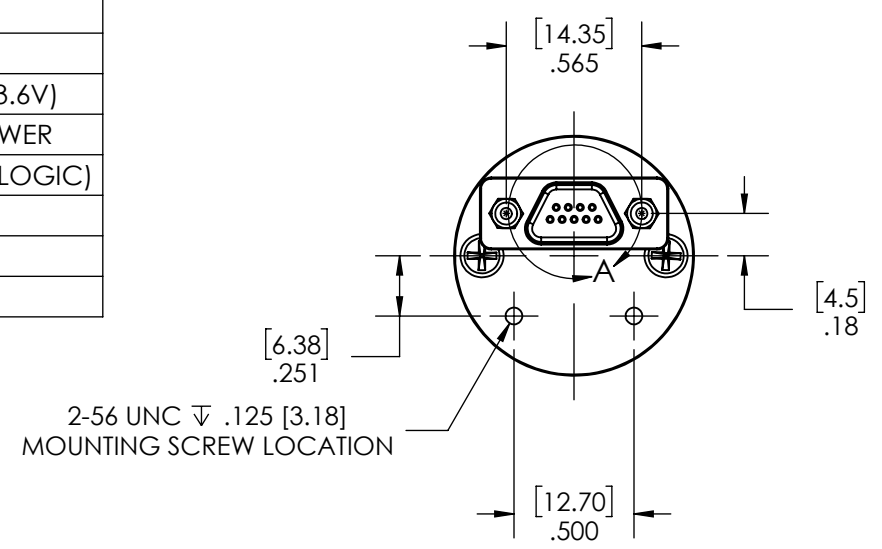
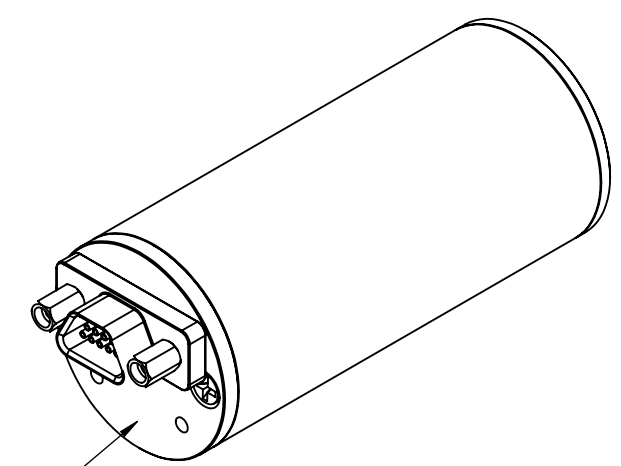
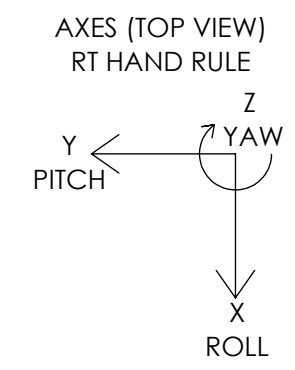
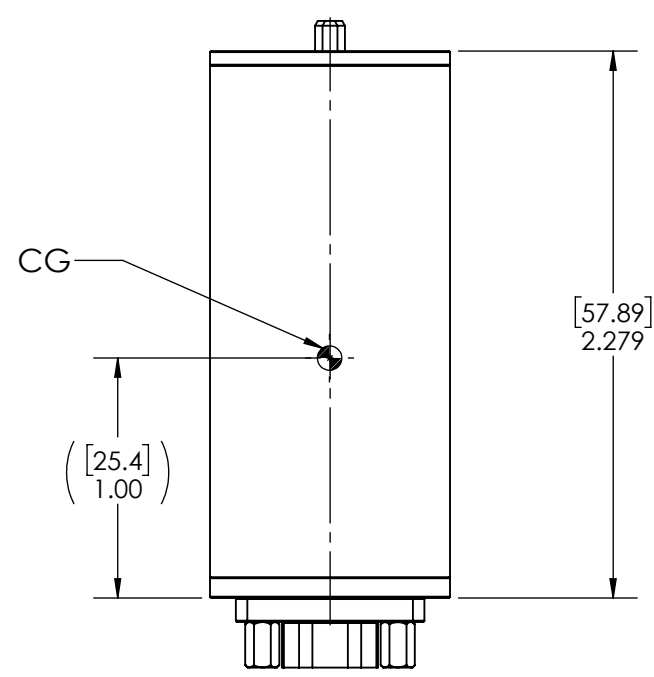
REVISIONS					
ZONE	ECN	REV.	DESCRIPTION	DATE	APPROVED
		NEW	RELEASED TO PRODUCTION FROM REV 1	01/06/2015	MEA
	DCR 263	A	OVERALL PART LENGTH INCREASED FROM 2.125 TO 2.280 TO ACCOMMODATE NEW MAGNETOMETER	09/28/2016	MEA
	DCR 268	B	CORRECTED PIN PROTRUSION LENGTH TO 1/8in.	11/07/2016	MEA
	DCR 285	C	UPDATED UNIT POWER VOLTAGE FROM (+2.7V TO 3.6V) TO (+3.8V TO +5.5V), UPDATED THE UNIT WEIGHT TO ≤ 43g, UPDATED EXTERNAL SYNC VALUES (PIN 6) FROM (1kHz OR 1pps) TO (5kHz 3.3V LOGIC), AND UPDATED PIN 9 TO CASE	05/24/2017	MEA

- NOTES:
- USE ESD PROTECTION WHEN HANDLING
 - PACKAGE WITH ESD SENSITIVE BAG
 - POWER VOLTAGE RANGE: +3.8V TO +5.5V
 - WEIGHT: ≤ 43g
 - ANODIZE PER MIL-A-8625 TYPE II CLASS II, BLUE
 - ANY UNUSED INPUTS (PINS 4, 6, 8) MUST BE CONNECTED TO SIGNAL GROUND (PIN 7)
 - SHIPS WITH HARDWARE:
 - M83513/05-05 JACK SCREWS
 - M83513/01-AN MATING CONNECTOR
 - 3X 2-56 MOUNTING SCREWS



DETAIL A

PIN NO.	ASSIGNMENT
1	RS-485 A (+)
2	RS-485 B (-)
3	POWER GROUND
4	ANALOG/ DIGITAL INPUT (0V - 3.6V)
5	+3.8V TO +5.5V MAX INPUT POWER
6	EXTERNAL SYNC INPUT (5kHz 3.3V LOGIC)
7	SIGNAL GROUND
8	SELF TEST IN (3.3V LOGIC)
9	CASE



THIS DOCUMENT IS AN UNPUBLISHED WORK. COPYRIGHT 2017 GLADIATOR TECHNOLOGIES ALL RIGHTS RESERVED.

THIS DOCUMENT AND ALL INFORMATION AND EXPRESSION CONTAINED HEREIN ARE THE PROPERTY OF GLADIATOR TECHNOLOGIES AND ARE PROVIDED TO THE RECIPIENT IN CONFIDENCE ON A "NEED TO KNOW" BASIS. YOUR USE OF THIS DOCUMENT CONSTITUTES ACCEPTANCE OF THESE TERMS.

INFORMATION CONTAINED IN THIS DOCUMENT IS SUBJECT TO U.S. EXPORT LAWS AS DEFINED IN THE EXPORT ADMINISTRATION REGULATIONS (EAR) AND/OR THE INTERNATIONAL TRAFFIC AND ARMS REGULATIONS (ITAR). ILLEGAL EXPORT PROHIBITED.

Commercial Distribution Authorized per Commodity Classification ECCN7A994 (T-5 Countries Distribution Prohibited) Non-Technical Detail and is Non-ITAR

TYPED SIGNATURES CONSTITUTE APPROVAL. ACTUAL SIGNATURES ON FILE AT GLADIATOR TECHNOLOGIES IN SNOQUALMIE, WA



UNLESS OTHERWISE SPECIFIED		CONTRACT NO.		GLADIATOR TECHNOLOGIES SNOQUALMIE, WA	
ALL DIMENSIONS ARE IN INCHES AND () METRIC - TOLERANCES UNLESS SPECIFIED ARE:	TOL.	.XX	±.01	DRAWN	JTZ 09/28/16
		.XXX	±.002	CHECKED	MEA 09/28/16
FINISH:	INTERPRET DRAWING PER ASME Y14.100 BREAK ALL SHARP EDGES	ANGLE	±X	MECH. ENG.	JTZ 09/28/16
				Q.A.	MEA 09/28/16
DASH NO.	NEXT ASSY DWG	FINAL ASSY APPLICATION	PRECIOUS METAL INDICATOR CODE A	DSGN. ENG.	RHH 09/28/16
				APPD.	MKC 09/28/16
SCALE:		CAGE CODE:		SHEET: 1 OF 1	
		47L11		990-DIGS100	
				REV. C	