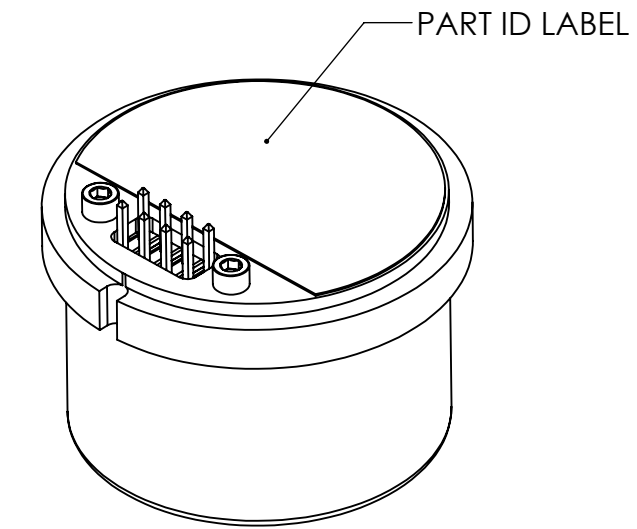
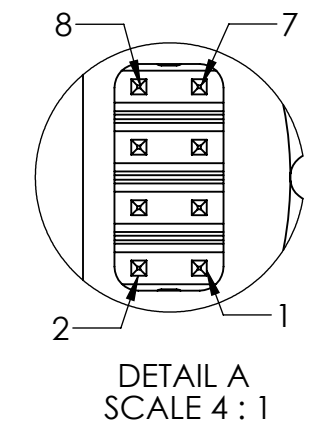
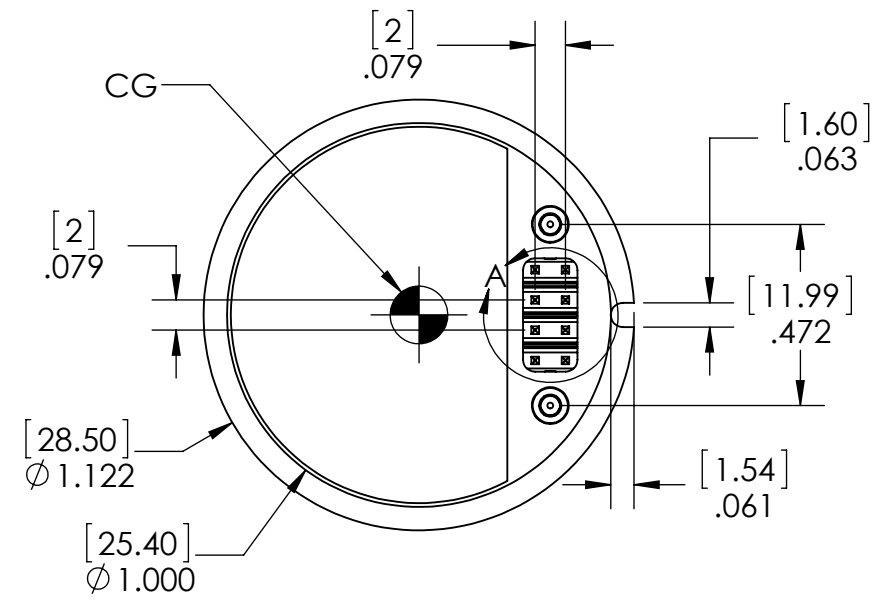


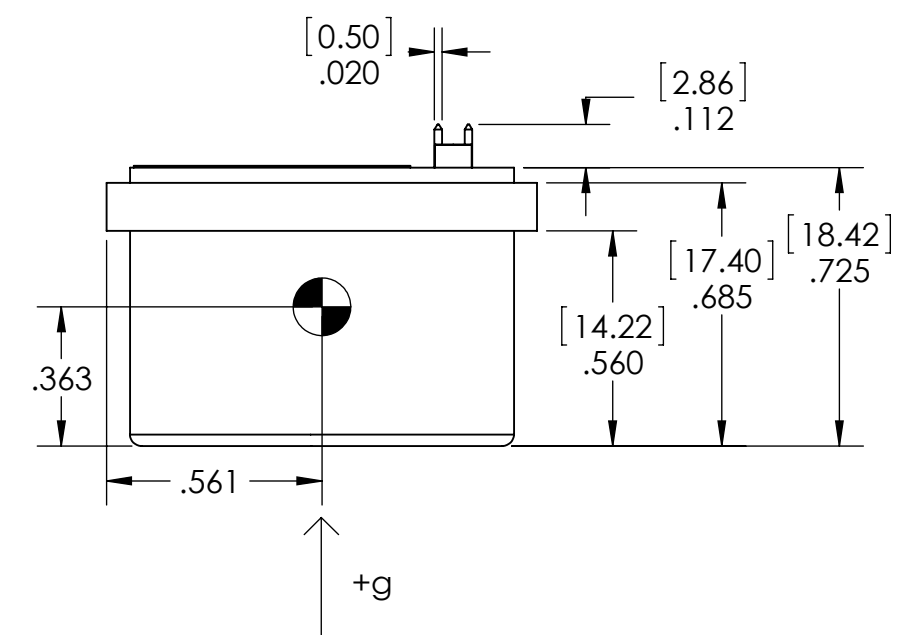
REVISIONS					
ZONE	ECN	REV.	DESCRIPTION	DATE	APPROVED
	DCR 049	A	CHANGED DWG. FORMAT, RELEASED TO PRODUCTION	4/26/13	MEA
	DCR 124	B	ADDED WIRE COLOR CODE	5/1/14	MEA

NOTES:

1. USE ESD PROTECTION WHEN HANDLING
2. PACKAGE WITH ESD SENSITIVE BAG
3. POWER VOLTAGE RANGE +2.5 VDC TO +5.25 VDC
4. WEIGHT: <20 GRAMS
5. FINAL FINISH: BLACK, ANODIZE PER MIL-A-8625 TYPE II, CLASS II.
6. SHIPS WITH: P/N 500-A40-ConnPin-001



PIN NO.	ASSIGNMENT	COLOR
1	ACCEL OUTPUT VOLTAGE 0V NOMINAL	BLUE
2	TEMP +2.5V @ 25°C 10 mV/°C	PURPLE
3	POWER GROUND	YELLOW
4	+2.5V REFERENCE VOLTAGE OUTPUT	GREEN
5	+4.75V to +5.25V DC INPUT	RED
6	SIGNAL GROUND	ORANGE
7	SELF TEST GROUND	BLACK
8	CASE	BROWN



THIS DOCUMENT IS AN UNPUBLISHED WORK. COPYRIGHT 2014
GLADIATOR TECHNOLOGIES ALL RIGHTS RESERVED.

THIS DOCUMENT AND ALL INFORMATION AND EXPRESSION CONTAINED
HEREIN ARE THE PROPERTY OF GLADIATOR TECHNOLOGIES AND
ARE PROVIDED TO THE RECIPIENT IN CONFIDENCE ON A "NEED TO
KNOW" BASIS. YOUR USE OF THIS DOCUMENT CONSTITUTES ACCEPTANCE
OF THESE TERMS.

INFORMATION CONTAINED IN THIS DOCUMENT IS SUBJECT TO U.S. EXPORT
LAWS AS DEFINED IN THE EXPORT ADMINISTRATION REGULATIONS (EAR)
AND/OR THE INTERNATIONAL TRAFFIC AND ARMS REGULATIONS (ITAR).
ILLEGAL EXPORT IS PROHIBITED.

Commercial Distribution Authorized per Commodity Classification ECCN7A994
(T-5 Countries Distribution Prohibited) Non-Technical Detail and is Non-ITAR

TYPED SIGNATURES CONSTITUTE APPROVAL. ACTUAL SIGNATURES
ON FILE AT GLADIATOR TECHNOLOGIES IN SNOQUALMIE, WA



UNLESS OTHERWISE SPECIFIED			CONTRACT NO.			GLADIATOR TECHNOLOGIES SNOQUALMIE, WA		
ALL DIMENSIONS ARE IN INCHES AND () METRIC - TOLERANCES UNLESS SPECIFIED ARE:	TOL.	.XX ± .01	DRAWN	NJC	4/26/13	TITLE: A40 ACCELEROMETER OUTLINE		
		.XXX ± .005	CHECKED	MEA	4/26/13			
FINISH: INTERPRET DRAWING PER ASME Y14.100 BREAK ALL SHARP EDGES	ANGLE ± X°		MFG. ENG.	NJC	4/26/13	SIZE: B	DWG. NO. 990-A40-200	REV. B
			Q.A.	BCB	4/26/13	SCALE: 2:1 CAGE CODE: 47L11 SHEET: 1 OF 1		
			APPD.	MKC	4/26/13			
DASH NO.	NEXT ASSY DWG	APPLICATION	PRECIOUS METAL INDICATOR CODE A					